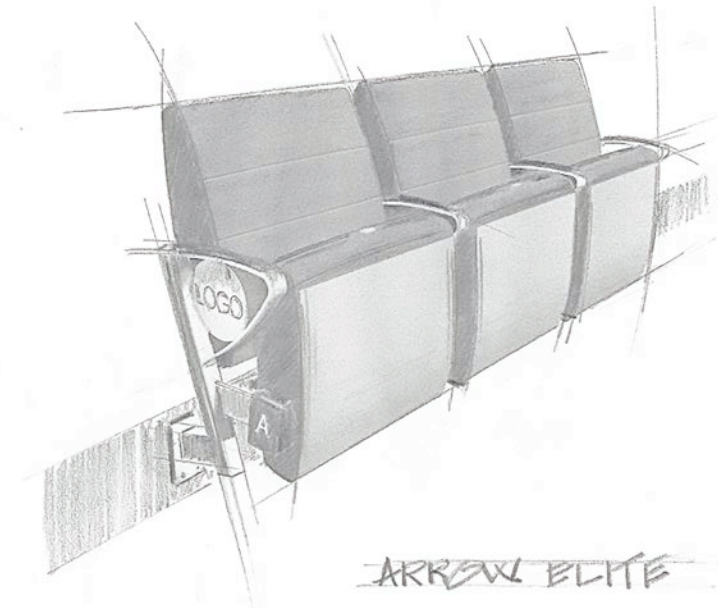




ARROW ELITE[™]



AFFORDABLE LUXURY: The Arrow Elite is a luxury VIP chair with a price tag that believes you don't have to be extravagant to make people feel important. Achieving unparalleled comfort, the Ergo-Web seat interior and surround foam technology conform to the human anatomy in a way that blurs the line on where you end and the chair begins, bringing tactile harmony between the chair and its' user. No other chair can better deliver the comfort of indoor seating to outdoor venues.

VISUAL STREAMLINING: Many of the iconic products we esteem today share a common core appeal. In almost every case, the excess bulk found in out of date design has given way to the virtues of space efficiency and physical streamlining. The Arrow Elite achieves this with open "window" end panel and an exceptionally slim seat envelope that translates to more seats in less space, and greater passage between the rows. Today's engineering trend towards minimalism inspires product innovation such as our armless option for a sleek, uncluttered, unadorned look and feel that maximizes visual streamlining and personal space.

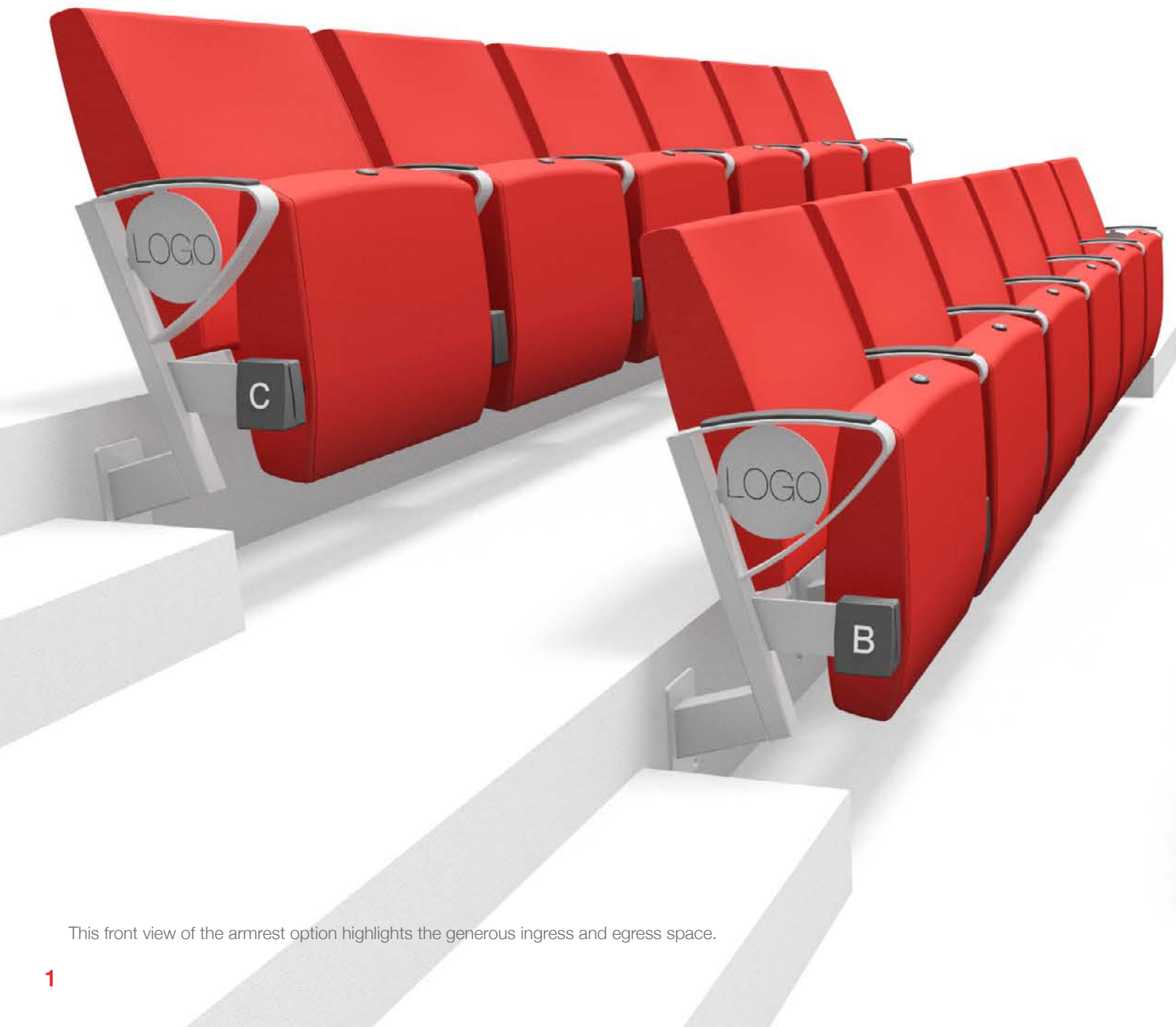
ENGINEERING INNOVATION: Our exclusive Accordion System allows for on-site row length adjustment for perfect aisle alignment and easy adaptation to unforeseen variables in the venue construction. This flexible system translates to simple solutions for complex needs and unlimited customization opportunities. The chair design also incorporates the latest advancements in UV research and raw material technology, delivering maximum protection from direct sun and volatile climatic conditions.

MAINTENANCE FREE: The Arrow Elite has established a maintenance-free reputation and a lifelong love affair with its' caregivers, by way of care-convenience features seldom found in competing products. The gravity lift seat system precludes the need for mechanical parts associated with spring assisted seat lifts, and the zippered seat covers allow the seat components to be redressed in less than two minutes in case of accidental damage or vandalism.

Series Seating is known for quality and attention to every detail. We use only the highest quality parts and materials in every seating system – from handpicked raw materials right down to the best bolts in the world.

ARROW ELITE

ARMREST



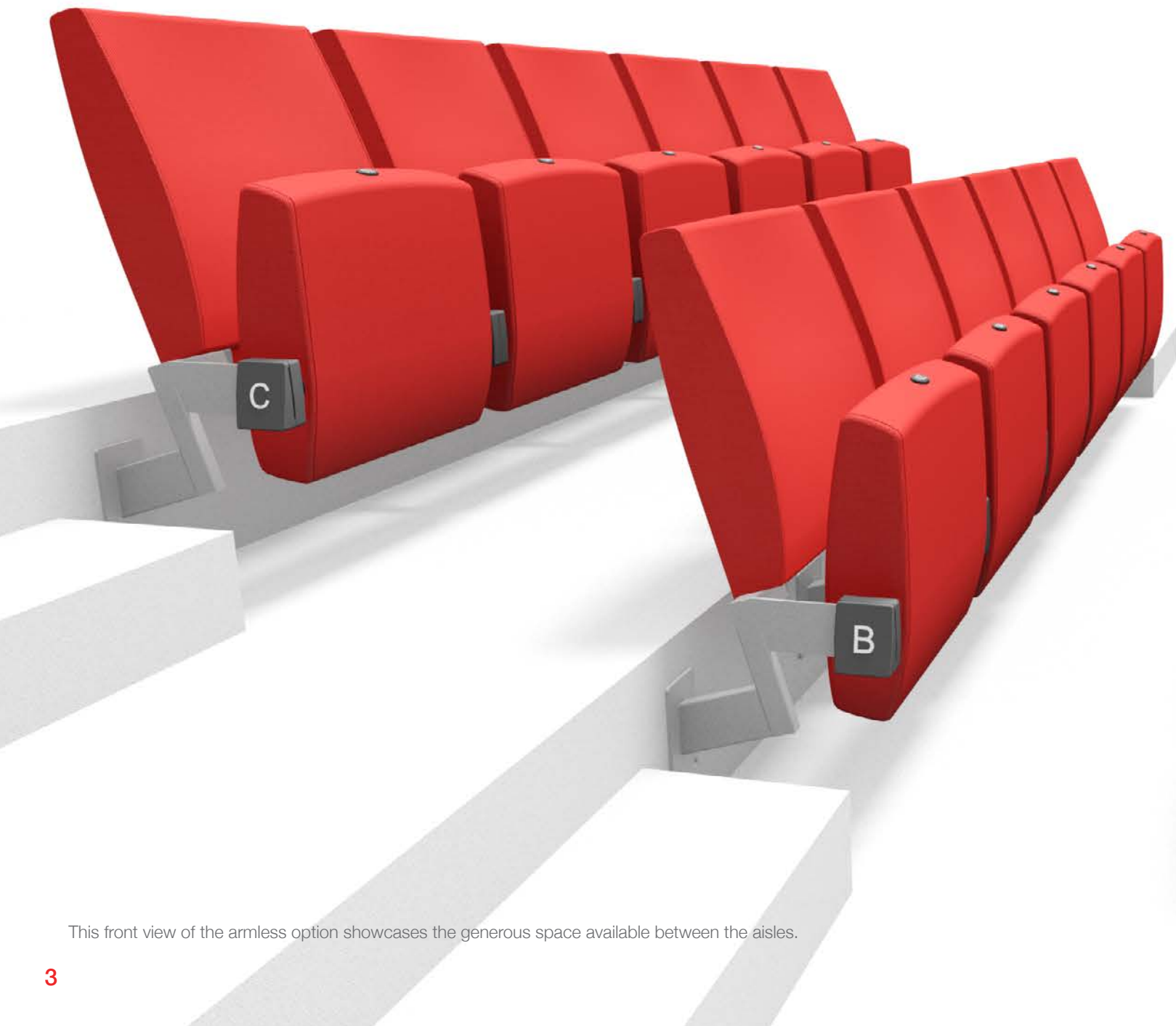
This front view of the armrest option highlights the generous ingress and egress space.



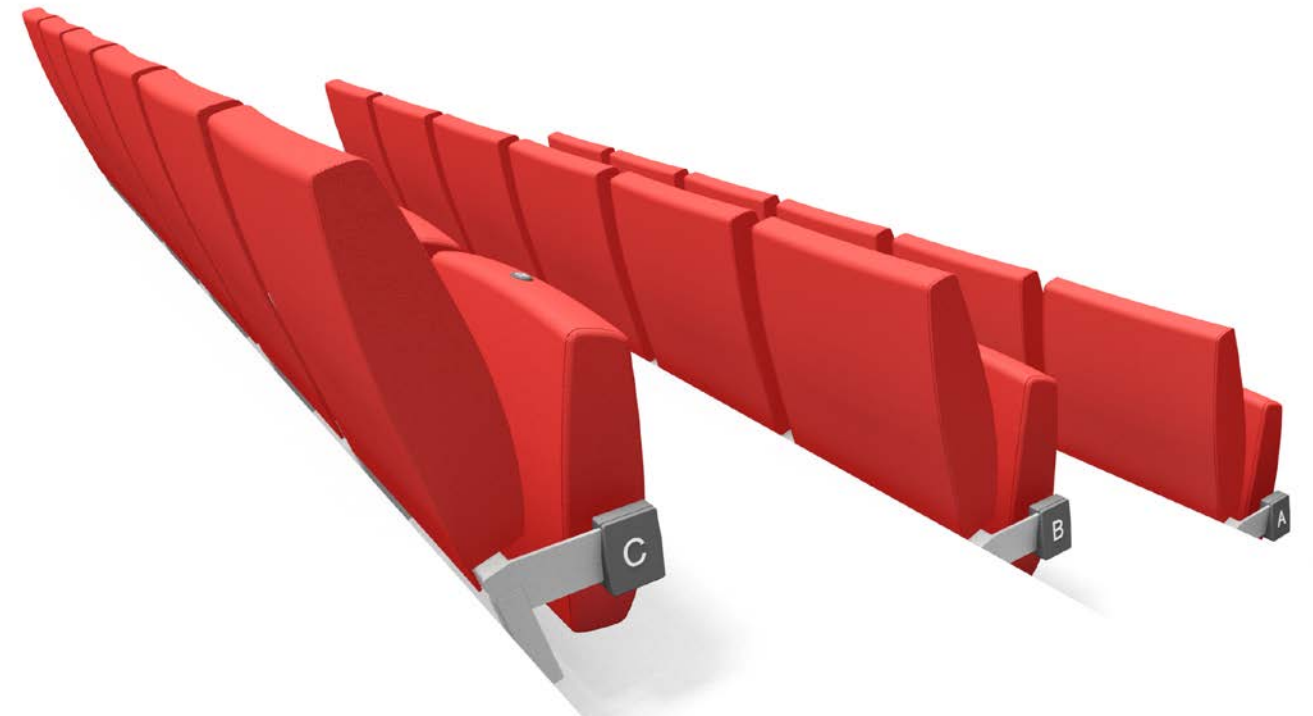
The back view of the armrest option reveals the clean lines of symmetry available with this seating system.



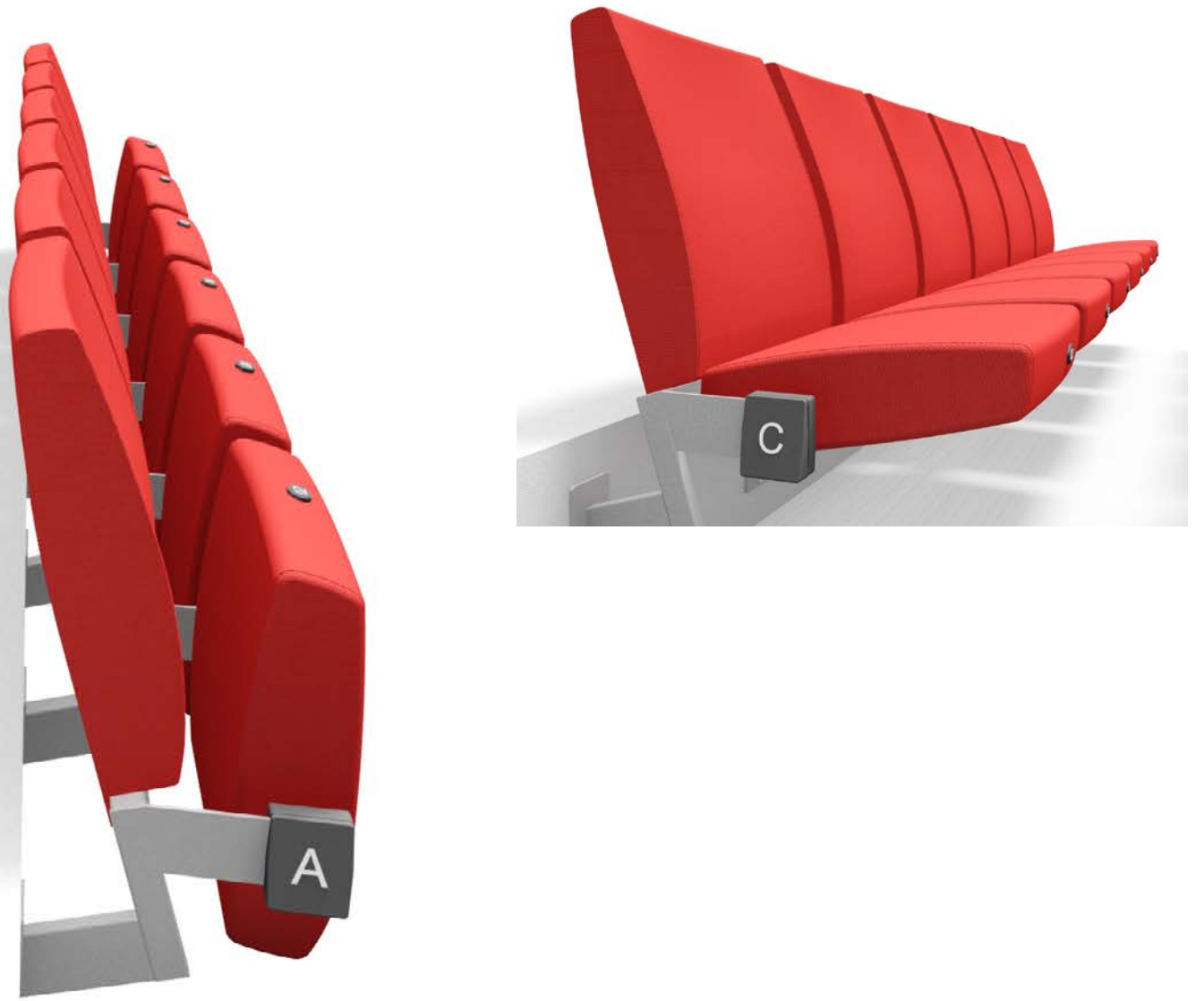
ARMLESS



This front view of the armless option showcases the generous space available between the aisles.



The back view of the armless option exposes the seamless alignment available with this seating system.



Alignment Options

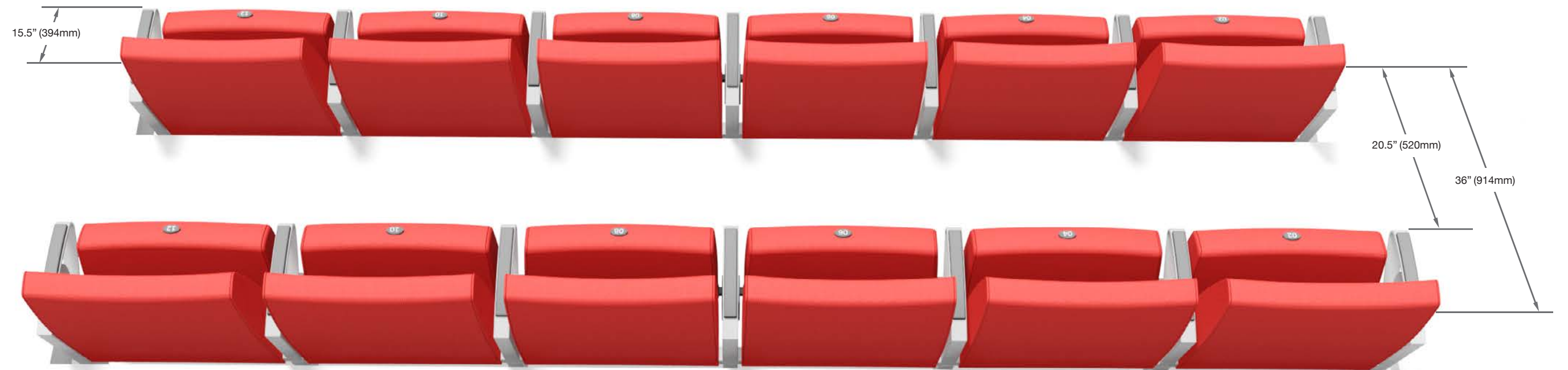
Perfect row end alignment can be met with the flexibility of the Arrow Elite in both staggered and non-staggered seating configurations. (Non-staggered configuration shown)



SPACE EFFICIENT

Spacious Egress Area

The Arrow Elite is a silent seating system, and folds into a narrow envelope making it an excellent space saving option. This allows for more seats per row and fewer aisles are needed. Competing seating lines waste an average of six inches, increasing costs and decreasing egress space.



SUPPORT TYPES

ARMREST & ARMLESS

Full line of support options to meet your unique project requirements.



Floor Support



Floor Support



Riser Support



Riser Support

REMOVABLE SEATING

ARMREST & ARMLESS

The Arrow Elite's versatility can be further appreciated in the unique quality of this system's tool-less removal process. The Out-in chair options can be removed without tools in five seconds.



Removable Single Unit



Removable Single Unit



Removable Double Unit



Removable Double Unit



Removable Tripple Unit



Removable Tripple Unit



Removable Out-In

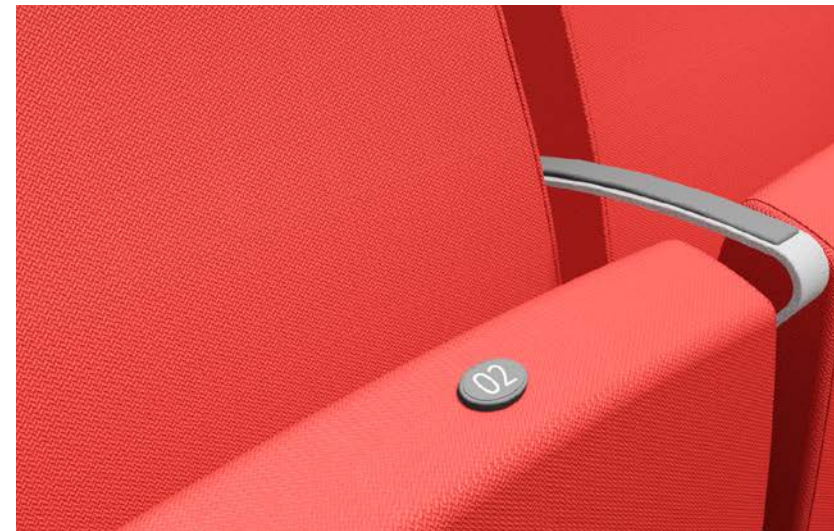
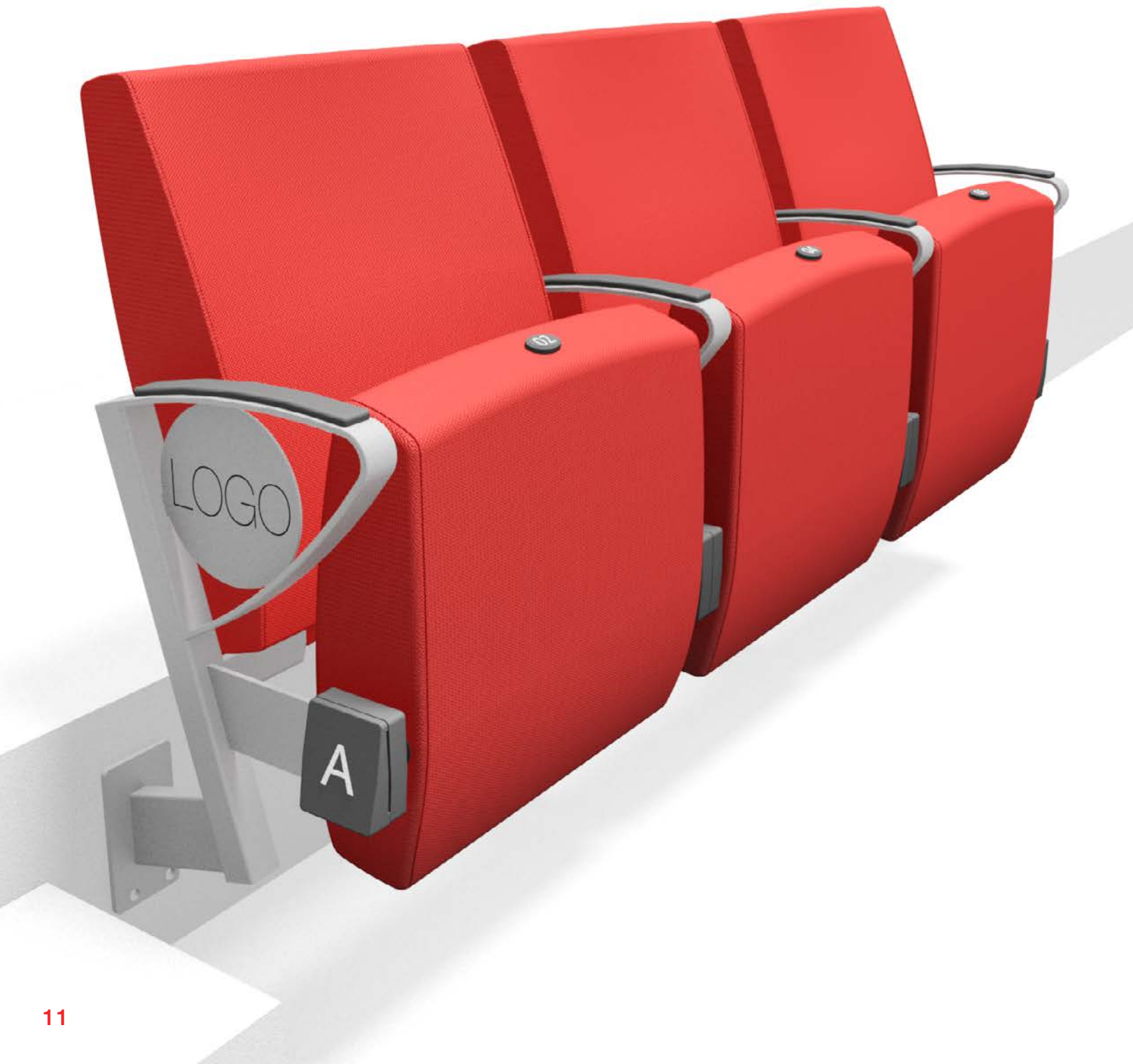


Removable Out-In

SIGNAGE

OPTIONS

Prominent, well thought out signage/logo placement is built into this seating system.



Seat Identification

Polymer number plate placed with concealed fasteners. Font white Helvetica numbers
Dimensions: 1" x 1 1/2" (26mm x 42mm)



Row Identification

Angled polymer letter plate for easy viewing, placed with concealed fasteners.
Font white Helvetica lettering.
Dimensions: 4" x 3 1/4" (100mm x 85mm)



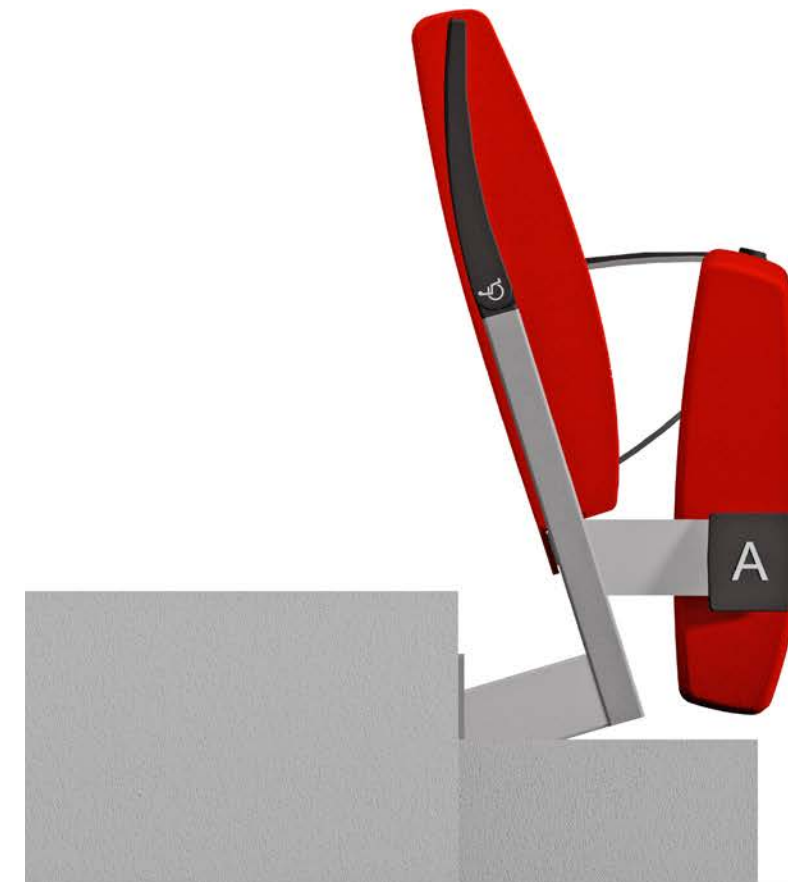
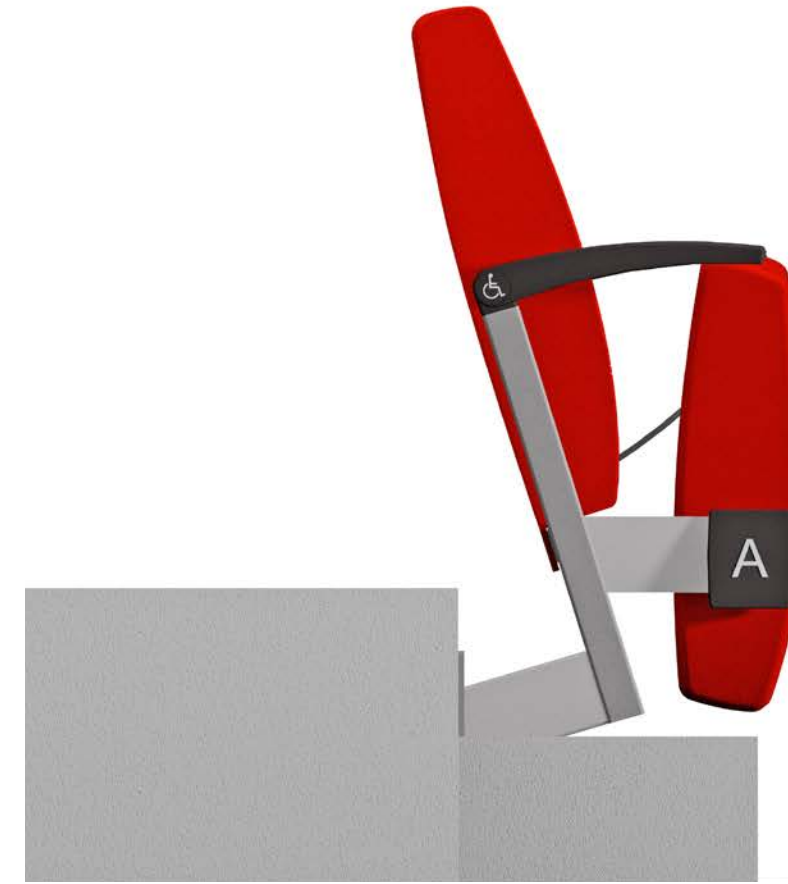
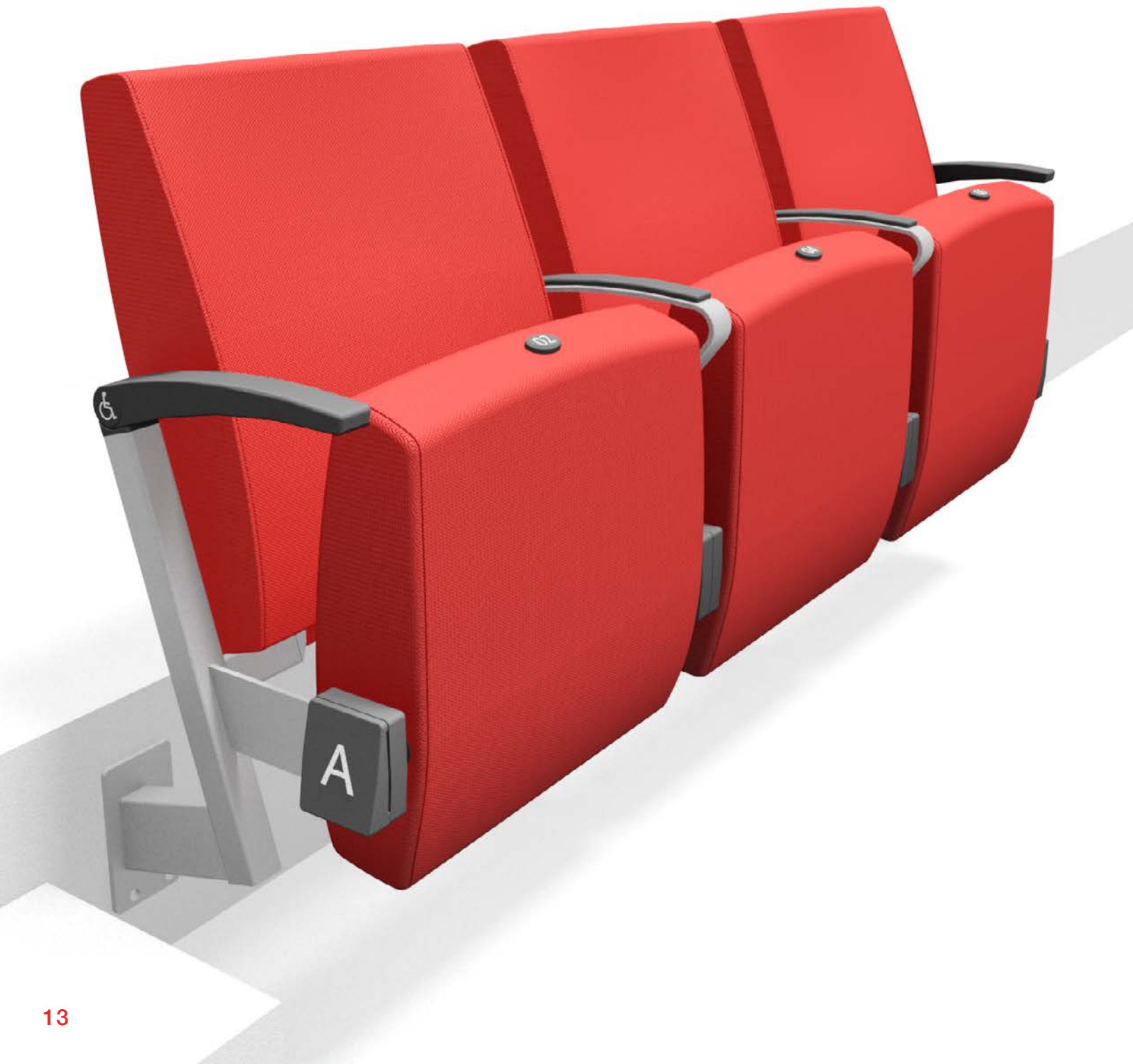
Aisle Logo Plate

Screen printed logo plate
Dimension: 6 1/4" (160mm) diameter.

ADA

LIFT-UP ARM

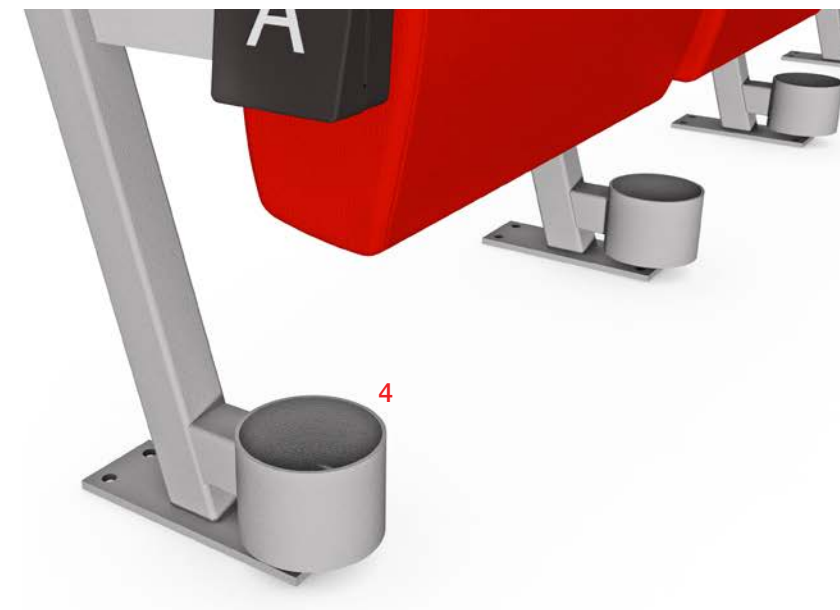
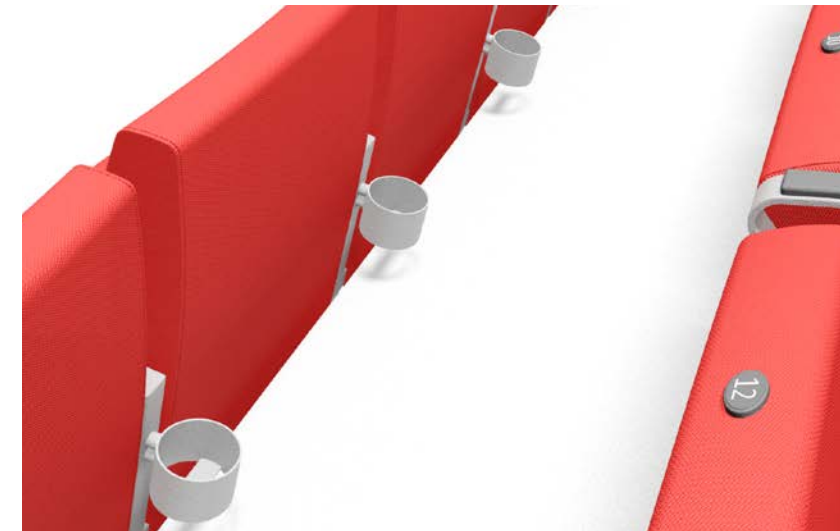
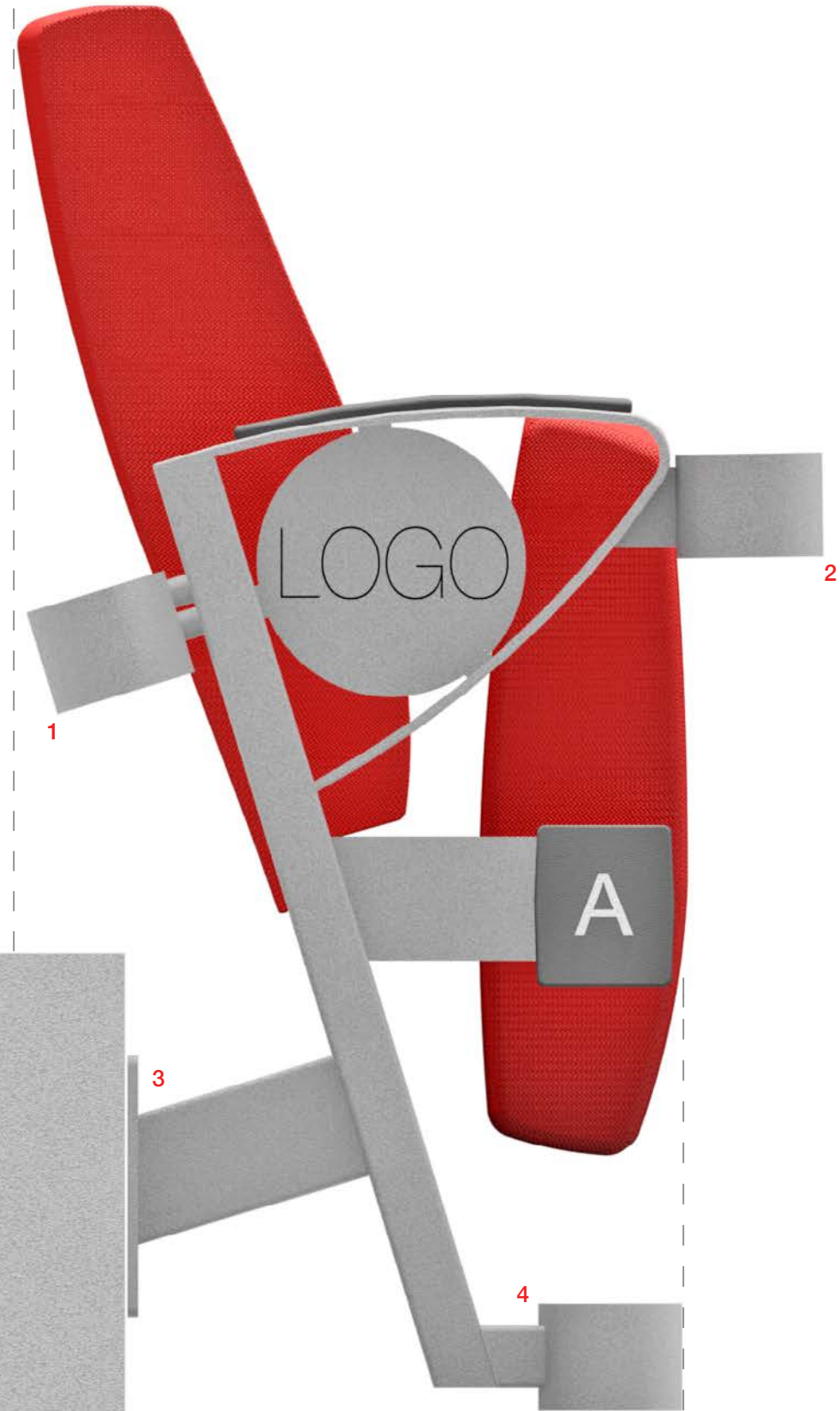
ADA compliance is required by code for many new and renovated public seating facilities. The Arrow Elite line of seating provides seamless ADA compliant seating options.



The ergonomic design of the ADA compliant seating provides both comfort and ease of use to patrons. The polyurethane cushion has a soft texture and the seating design is very quiet, allowing egress to occur without interruption.

CUPHOLDER

OPTIONS



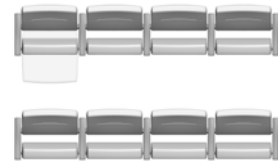
Cupholder Options

- 1 Back Support Mount – This is the most comfortable placement.
- 2 Armrest Mount
- 3 Riser Support Mount
- 4 Floor Support Mount

THINGS YOU CARE ABOUT

FEATURES & BENEFITS

True INNOVATION is much more than the introduction of something new. If it does not meet a need or provide a benefit not being provided by others, it is not innovation. The following is a list of features that are much more than something new. All provide benefits and paybacks like no other auditorium seat product you will find.



STREAMLINED DESIGN

- Provides more seats per square foot of building
- Allows for longer rows that comply with building codes.
- Provides greater traffic flow between the rows.
- More efficient floor maintenance.
- Visual dynamics.



SEAT & BACK TUBULAR STEEL STRUCTURE

- Exceeds the most demanding durability tests.
- With heavy use over time, the seat and back components will maintain comfort, alignment and appearance.
- Structure won't be affected by high or low humidity & temperature.



SURROUND FOAM™

- Foam fully surrounds inner seat and back structure to prevent fabric marks.
- Prolongs the durability of the foam.
- Unique seat and back foam ventilation to prevent the foam from warming up during use.



OUTDOORS

- Built for outdoors.
- Seat and back covers are marine grade vinyl.
- Vinyl is UV light and mildew resistant.
- Hot dip galvanized protection available.



SEAT & BACK DROP-IN ASSEMBLY

- Allows replacement of the seat cushion in 30 seconds.
- Allows replacement of the back cushion in 60 seconds.



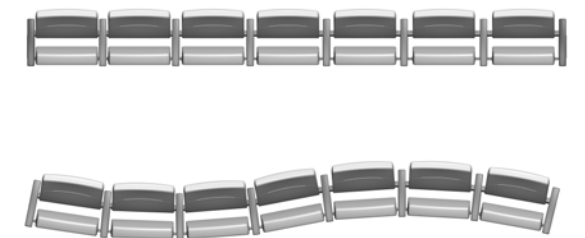
FULLY ENCLOSED AUTOMATIC GRAVITY SEAT LIFT-UP SYSTEM

- Extremely quiet seat lift system.
- The system does not require any lubricants or maintenance.
- Fully enclosed pivot and seat stops that will not permit finger or clothing entrapments.



REMOVABLE SEAT & BACK COVERS

- Allows replacement of the zippered seat cover in 2 minutes.
- Allows the replacement of the back cover in 8 minutes.



ACCORDION SYSTEM

- Rows can be adjusted to any row length on site.
- Single back and seat widths for visual continuity.
- Guarantees perfect alignment of the row ends at the aisle.
- Seats and backs are totally interchangeable.
- Single size components for attic stock.

CUT VIEW

SPECIFICATIONS

Back Structure

Structural tubular steel pipe, wall thickness 0.079" (2 mm).

Surround Foam™

Contour-molded high-density open cell, cold cured foam 4.1/2"(114mm) thickness
Density: 2.8 lb./ft³ (45 Kg/m³)
Custom foam densities and firmness available upon request. The foam fully surrounds the structure to help prevent fabric marks.

Logo Plate

Optional 6 1/4" (160mm) diameter steel plate to accommodate custom logos.

Supports Mounts Options

Floor, riser, pedestal, removable 1, 2, 3 seat configurations and removable Out-In pedestal.

Back Drop-In Assembly

Patented drop-in assembly allows the installation or replacement of the back cushion with the use of only two Hex 1/4" screws in less than 1 minute.

Automatic Gravity Seat Lift-up System

Silent gravity lift-up system with encapsulated steel weight and fully enclosed pivot and seat stops.

Open End Panel-Row Identification

Angled polymer letter plate for easy viewing, with concealed fasteners.

Supports Base Plate

Steel plates 1/4" (6mm).

Seat Drop-in Assembly

Patented drop-in assembly that allows the installation or replacement of the seat cushion in less 30 seconds.

Ergonomic Seat Cushion

Flexible mesh that prevents user from bottoming down and prevents foam cushions from building up heat.



Outdoor Back Cover

Vinyl exterior marine-grade vinyl UV light and mildew resistant.

Indoor Back Cover

Standard Series Seating fabric or COM covers.

Fire Barrier

Optional fire protection barrier.

Armrest Pad

Optional Polymer pad.

Metal Exposed Components Finish

Black color oven backed polyester electrostatic powder-coated paint. Custom color available. Hot dip galvanized protection available.

Ergonomic Back Cushion

Compound curved back cushion with lumbar support.

Outdoor Zippered Removable Seat Cover

Vinyl exterior marine-grade vinyl UV light and mildew resistant.

Indoor Zippered Removable Seat Cover

Standard Series Seating fabric or COM covers.

Surround Foam™

Contour-molded high-density open cell, cold cured foam 5"(127mm) thickness. Density: 3.4 lb./ft³ (54 Kg/m³) Custom foam densities and firmness available upon request. The foam fully surrounds the structure to help prevent fabric marks.

Seat Identification

Polymer number plate with concealed fasteners.

Seat Structure

Structural tubular steel pipe, wall thickness 0.079" (2 mm).

Accordion System™

Allows installing the chairs at any chair width dimension that does not exceed 2 1/2" (63.5mm) from its original chair width dimension. Chairs can be installed in radius, reverse radius or straight row configurations.

Arrow Elite Chair Widths

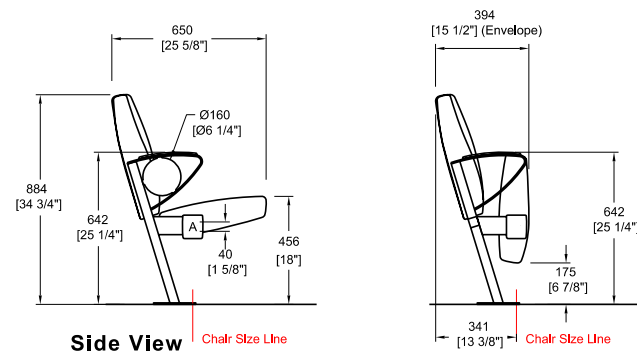
Any center dimension between 20"(500 mm) and 24" (610 mm).

- Chair Assembly only requires a 7/16" wrench for hexagonal 1/4" bolts.
- Flammability Cal-117 available Cal-133.
- Anchors and Hardware Black zinc plated.
- SERIES® Seating reserves the right to modify design & specifications without notice.

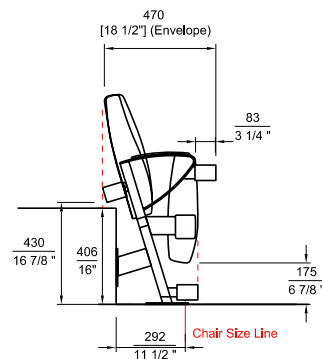
SPECIFICATION

DIMENSIONS

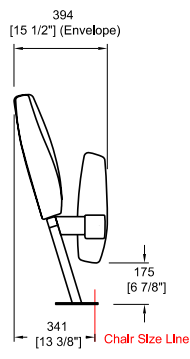
Floor Support



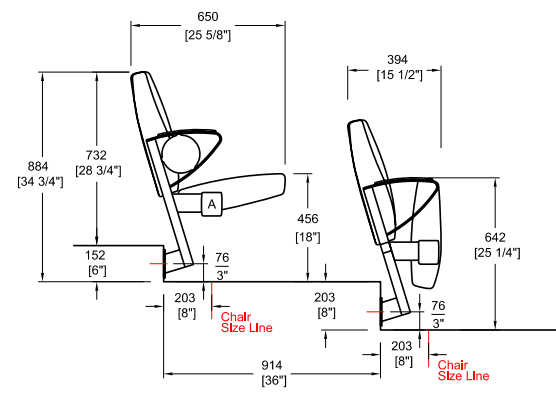
Front and Back Cup Holder



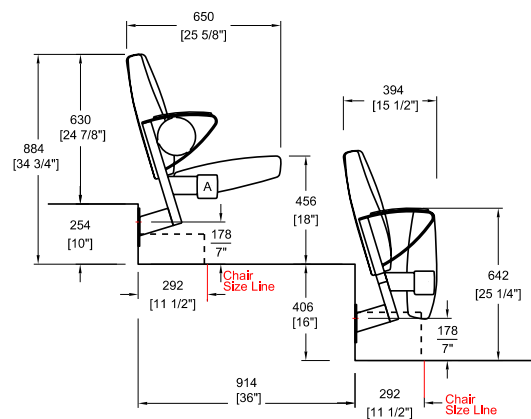
Armless



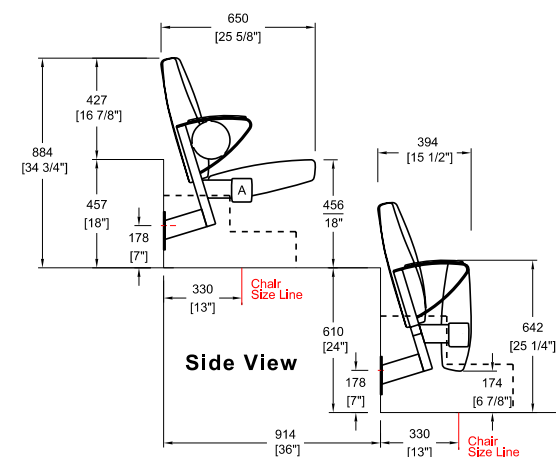
Low Riser Support
152 to 203 (6" to 8")



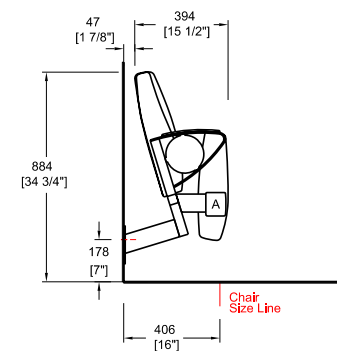
Medium Riser Support
254 to 406 (10" to 16")



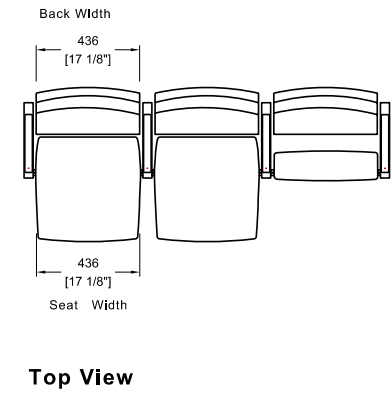
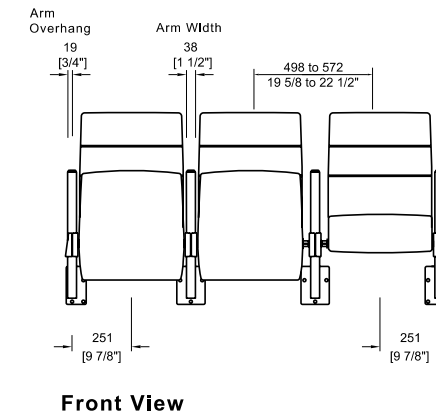
High Riser Support
457 to 610 (18" to 24")



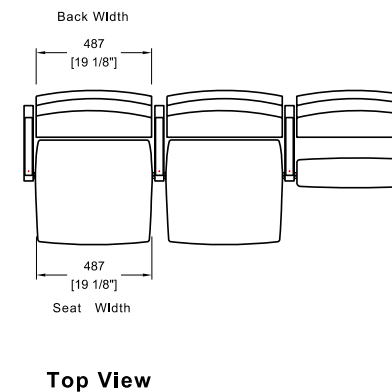
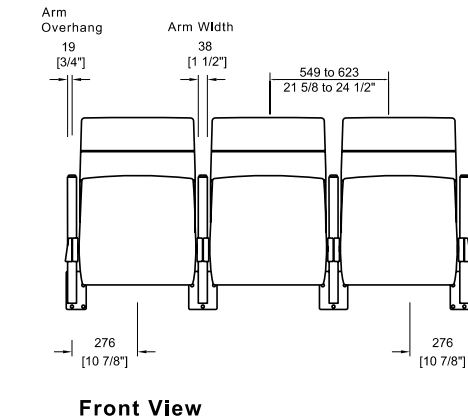
Wall Riser Support

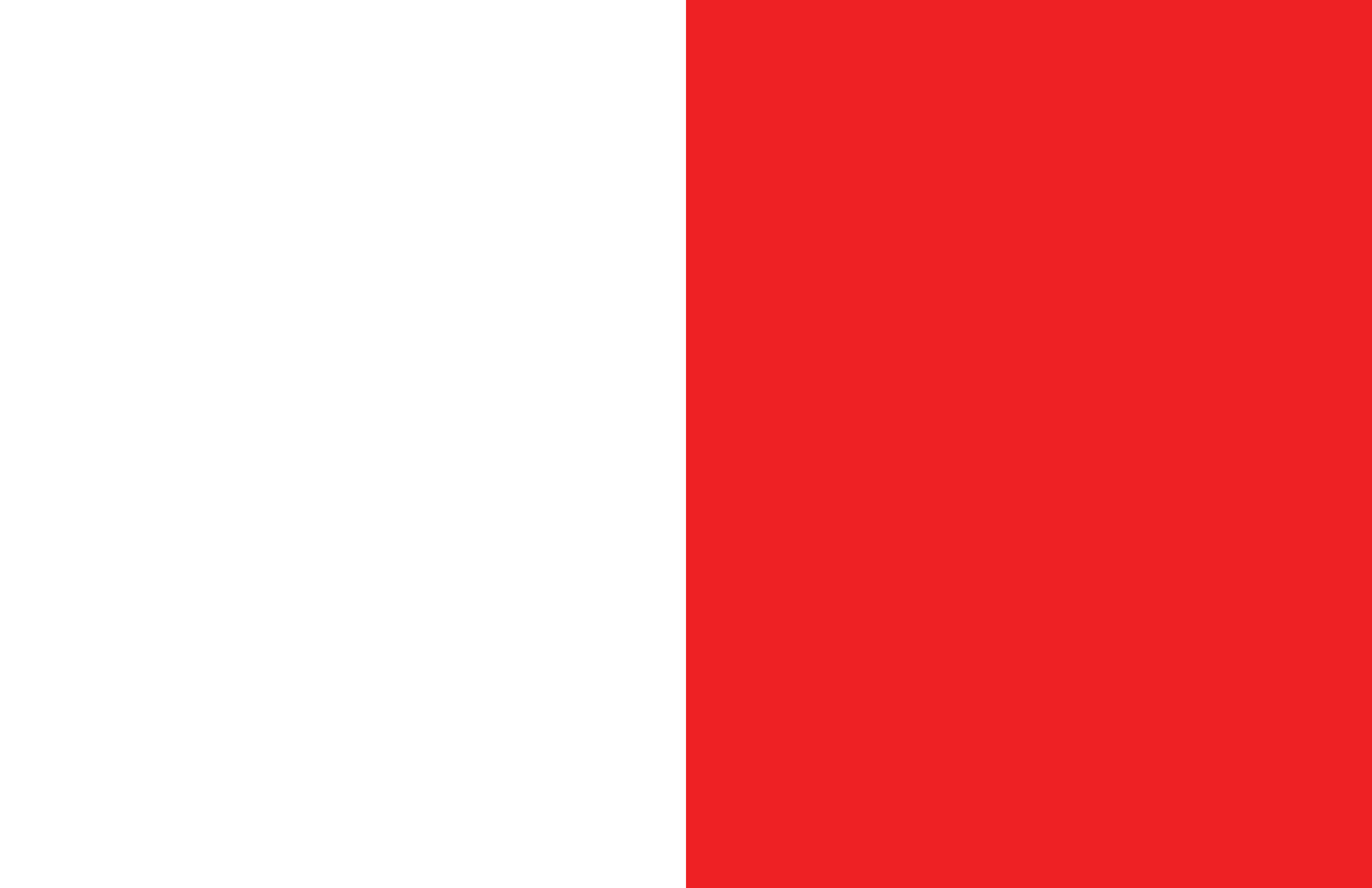


Size "E" 498 to 572 (19 5/8" to 22 1/2")



Size "L" 549 to 623 (21 5/8" to 24 1/2")







SERIES USA

Corporate Headquarters

20900 NE 30th Avenue

Suite 901

Miami, FL 33180

P + 1 - 800 - 729 - 1190 | + 1 - 305 - 932 - 4626

E info@seriesseating.com

SERIESWORSHIPSEATING.COM | SERIESSEATING.COM

SERIES Colombia

Carrera 7A Km. 21

Chía, Cundinamarca 250008

P + 57 - 1 - 518 - 8585

E info@seriesseating.com

SERIESWORSHIPSEATING.COM | SERIESSEATING.COM

SERIES Australia PTY LTD

57 Carnarvon Drive

Frenchs Forest, NSW 2086

P + 61 - 2 - 9986 - 3878 | + 61 - 412 - 085 - 982 | + 61 - 0412 - 435 - 089

E rxp@hadleyaustralia.com.au | hadley@hadleyaustralia.com.au

HADLEYAUSTRALIA.COM.AU | SERIESSEATING.COM

Member of Australasian Furnishing Research & Development Institute

© 2018 SERIES® Seating

Printed in USA by SERIES® Printing on FSC certified paper

0321181709

